

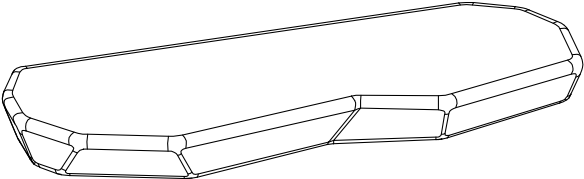
Staffa Console Table

Assembly manual

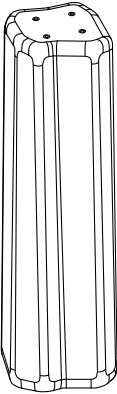


ferm
L I V I N G

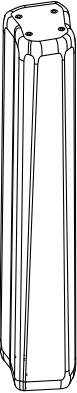
Box Content



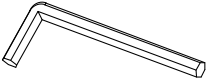
1 x Table top



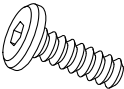
1 x Table base (A)



1 x Table base (B)



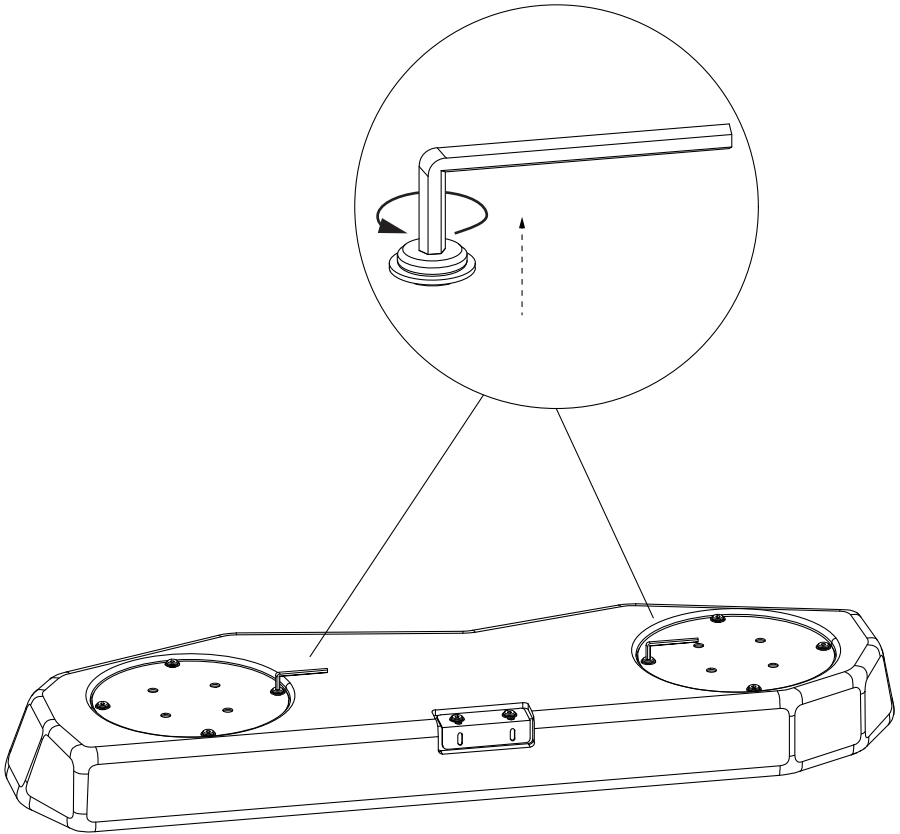
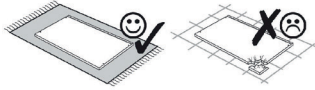
1 x Allen key



20 x Bolts M6

Assembly Process

1

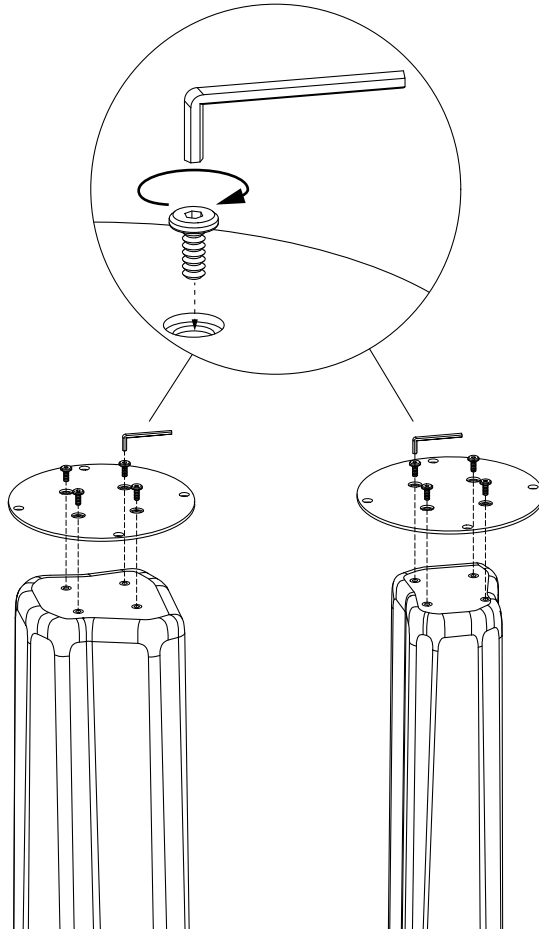


(Place the tabletop on a soft surface)

Remove 4 x bolts on each base plate. Then remove both base plates.

Assembly Process

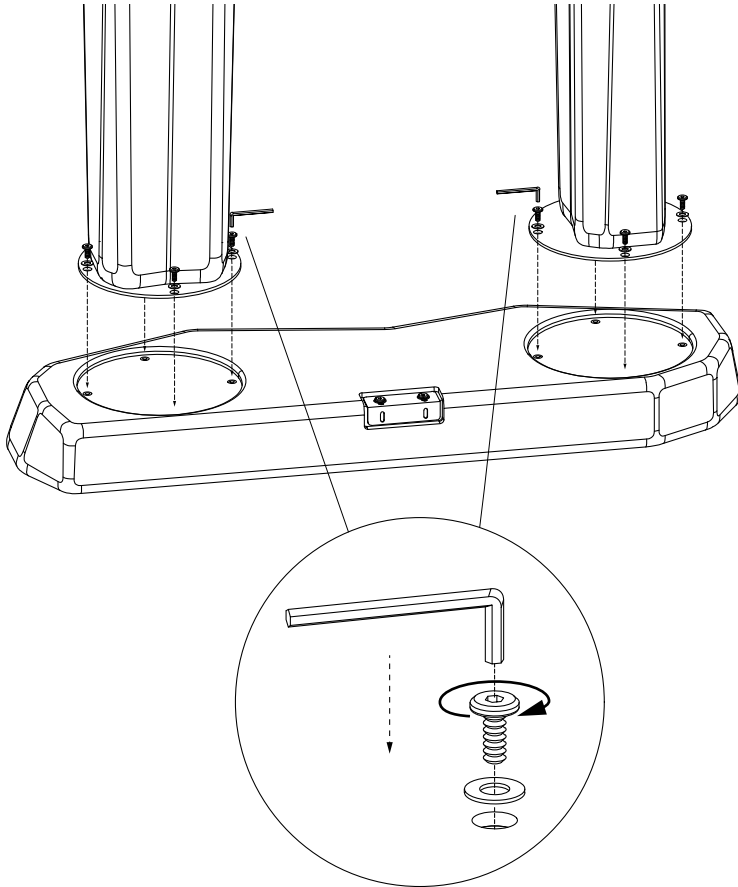
2



Mount a base plate on each table base with 4 x bolts each.

Assembly Process

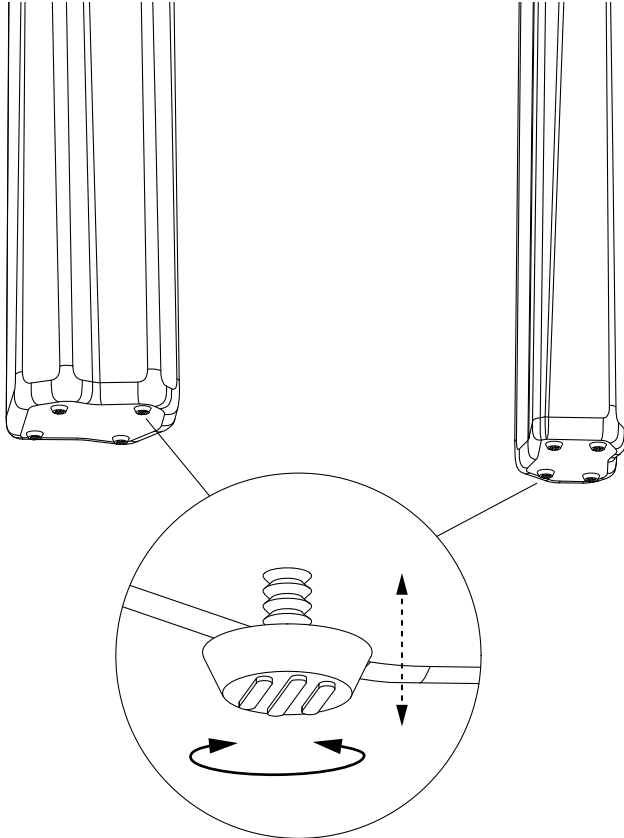
3



Mount the pre-assembled table base on the table top with 4 x bolts each

Assembly Process

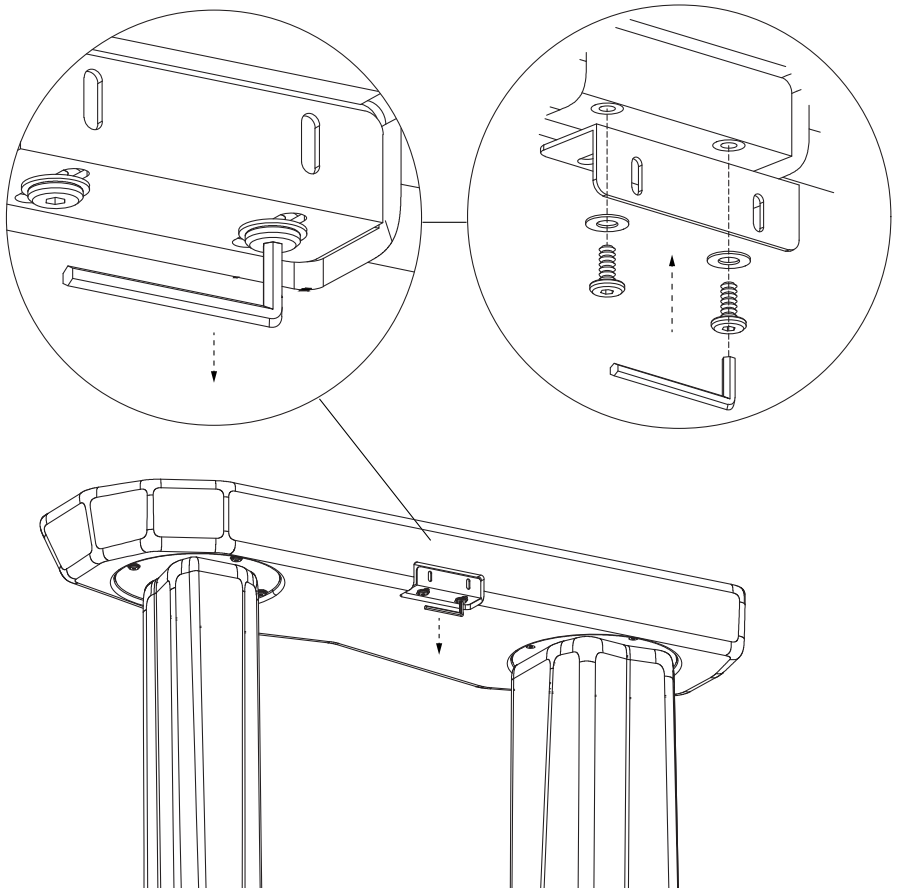
4



Adjust the feet so the table doesn't tilt

Assembly Process

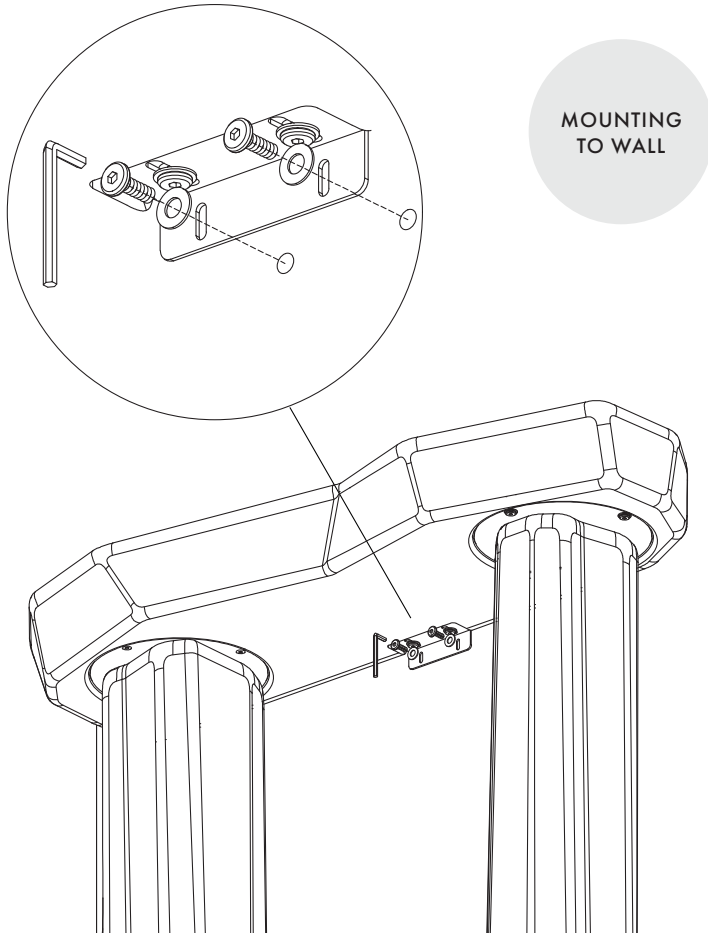
5



Remove the wall bracket and reinstall it in reverse order.

Assembly Process

6



Mark and drill holes to attach the table to the wall

***Depending on the type of wall, replace the supplied screws with screws and wallplugs that match the type of wall.**

Attention: For safety reasons and stability, the console table must be firmly installed into the wall with the enclosed wall bracket.

fermliving.com